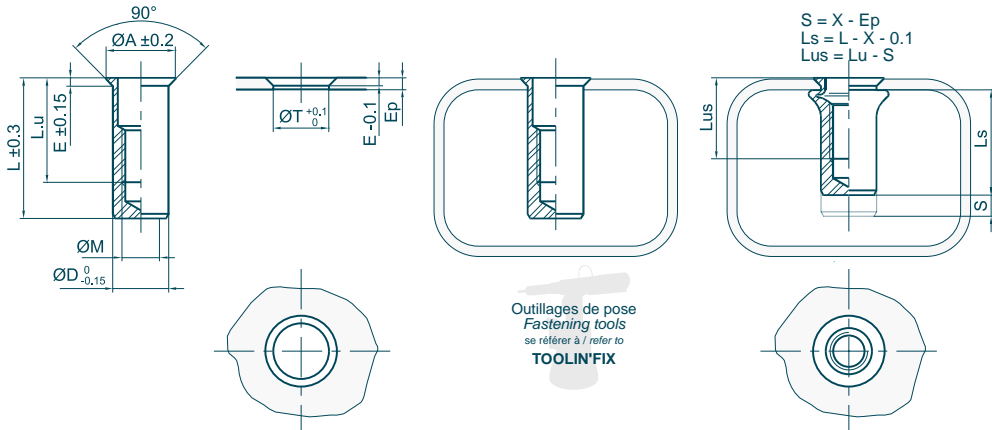


Écrous à sertir en aveugle Blind Rivet Nuts



Material : Aluminium Matière : Aluminium
 Head : Countersunk Tête : Fraisée
 Body : Round Fût : Cylindrique
 Body end : Closed End Extrémité du fût : Borgne



Outillages de pose
Fastening tools
se référer à / refer to
TOOLIN'FIX

Ø M	Ep		Code	mm		Ø A	L	L.u	E	Ø D	X	daN	N.m	N.m	kg x1000
	min	max		ØT	ØA										
M2.5 x 0.45	0.8 - 1.7		01U025FRB017X	4.0	5.0	10.3	6.5	0.6	4.0	3.0	165	0.6	0.6	0.2	
M3 x 0.50	1.1 - 1.7		01U030FRB017X	5.0	6.8	12.3	7.0	1.0	5.0	2.8	225	0.8	0.8	0.4	
	1.1 - 2.3		01U030FRB023X	5.0	6.8	12.9	8.0	1.0	5.0	3.4	225	0.8	0.8	0.4	
	1.8 - 3.0		01U030FRB030X	5.0	6.8	13.5	9.0	1.0	5.0	4.0	225	0.8	0.8	0.4	
	1.1 - 2.1		01U040FRB021X	6.0	7.8	15.9	9.5	1.0	6.0	3.4	400	1.9	1.9	0.7	
M4 x 0.70	1.1 - 3.0		01U040FRB030X	6.0	7.8	16.8	10.6	1.0	6.0	4.3	400	1.9	1.9	0.7	
	1.3 - 3.7		01U040FRB037X	6.0	7.8	17.5	11.0	1.0	6.0	5.0	400	1.9	1.9	0.7	
	1.1 - 2.5		01U050FRB025X	7.0	8.8	18.3	12.0	1.0	7.0	4.0	650	3.8	3.2	1.0	
	1.1 - 3.5		01U050FRB035X	7.0	8.8	19.3	13.0	1.0	7.0	5.0	650	3.8	3.2	1.1	
M5 x 0.80	1.5 - 4.5		01U050FRB045X	7.0	8.8	20.3	14.0	1.0	7.0	6.0	650	3.8	3.2	1.1	
	1.1 - 2.5		01U060FRB025X	9.0	10.8	22.3	13.5	1.0	9.0	4.4	1100	6.7	6.0	2.2	
	1.1 - 3.5		01U060FRB035X	9.0	10.8	23.3	14.5	1.0	9.0	5.4	1100	6.7	6.0	2.3	
	2.0 - 4.5		01U060FRB045X	9.0	10.8	24.3	15.5	1.0	9.0	6.4	1100	6.7	6.0	2.4	
M6 x 1.00	3.0 - 5.5		01U060FRB055X	9.0	10.8	25.3	16.5	1.0	9.0	7.4	1100	6.7	6.0	2.4	
	1.8 - 3.0		01U080FRB030X	11.0	13.8	25.3	16.1	1.5	11.0	4.9	1750	16.2	10.5	3.5	
	1.8 - 4.2		01U080FRB042X	11.0	13.8	26.5	18.1	1.5	11.0	6.1	1750	16.2	10.5	3.6	
	2.0 - 5.0		01U080FRB050X	11.0	13.8	27.3	18.7	1.5	11.0	6.9	1750	16.2	10.5	3.7	
M8 x 1.25	3.5 - 6.5		01U080FRB065X	11.0	13.8	28.8	20.0	1.5	11.0	8.4	1750	16.2	10.5	3.8	
	1.8 - 4.0		01U100FRB040X	13.0	15.8	32.9	21.0	1.5	13.0	6.8	2200	32	16.4	5.9	
	2.0 - 5.5		01U100FRB055X	13.0	15.8	34.4	22.0	1.5	13.0	8.3	2200	32	16.4	6.0	
	4.0 - 7.0		01U100FRB070X	13.0	15.8	35.9	24.0	1.5	13.0	9.8	2200	32	16.4	6.1	
M10 x 1.50	2.5 - 4.2		01U120FRB042X	16.0	19.8	36.3	23.7	2.0	16.0	7.3	3000	55	23.5	10.1	
	2.5 - 6.0		01U120FRB060X	16.0	19.8	38.1	25.7	2.0	16.0	9.1	3000	55	23.5	10.3	
	3.5 - 7.6		01U120FRB076X	16.0	19.8	39.7	28.0	2.0	16.0	10.7	3000	55	23.5	10.5	
	6.0 - 9.2		01U120FRB092X	16.0	19.8	41.1	29.4	2.0	16.0	12.3	3000	55	23.5	10.7	
M14 x 2.00	1.0 - 5.0		01U140FRB050X	18.0	22.8	43.4	29.4	2.5	18.0	9.0	3600	89	31.5	14.9	
	3.0 - 7.0		01U140FRB070X	18.0	22.8	45.6	31.6	2.5	18.0	11.0	3600	89	31.5	15.4	
	6.0 - 9.0		01U140FRB090X	18.0	22.8	47.7	33.7	2.5	18.0	13.0	3600	89	31.5	15.8	
	3.0 - 5.7		01U160FRB057X	21.0	25.8	46.4	30.5	2.5	21.0	10.7	5900	139	41	21.3	
M16 x 2.00	2.0 - 8.2		01U160FRB082X	21.0	25.8	48.9	33.0	2.5	21.0	13.2	5900	139	41	22.0	
	6.0 - 11.0		01U160FRB110X	21.0	25.8	51.7	35.5	2.5	21.0	16.0	5900	139	41	22.7	

Écrou à sertir en aveugle correspondant à l'ancienne désignation M ... FB ... ALUMINIUM
 Blind Rivet Nuts corresponding to old designation M ... FB ... ALUMINIUM